

Table Clamps – Fixed



- Economically priced
- Medium and heavy duty designs
- Ideal for fixing items such as optical rails to a table
- Compatible with M6 and 1/4-20 mounting screws

Optics

Lenses & Microscope Components

Coatings

Mirrors, Beamsplitters & Windows

Prisms & Polarizers

Filters

Pinholes

Opto-mechanics

Tables, Breadboards & Rails

Mounting Hardware

Mirror & Component Mounts

Manual Micro-positioners

Motorized Positioners

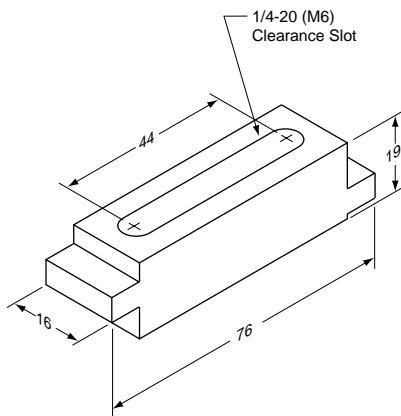
Lasers & Accessories

Beam Delivery

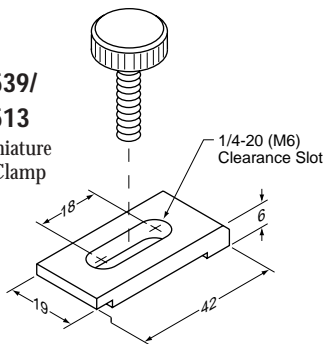
Laser Measurement

Diode Laser Modules

53-2135
Heavy Duty Table Clamp



**24-1539/
24-1513**
Subminiature Table Clamp

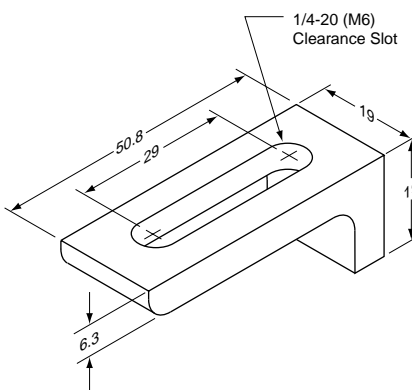


Specifications & Tolerances

Material: Black anodized aluminum

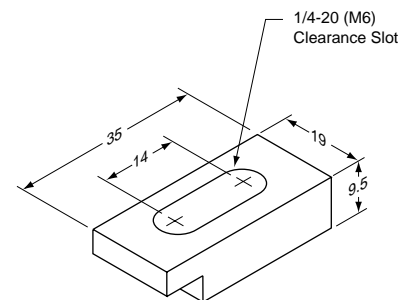
Dimensions: ±0.2 mm

53-2176
Angled Table Clamp



Ealing's new range of Fixed Table Clamps includes the designs shown. They are ideal for clamping rails and other products to optical tables or breadboards. All designs incorporate a long machined slot which has clearance

53-2168
Compact Table Clamp



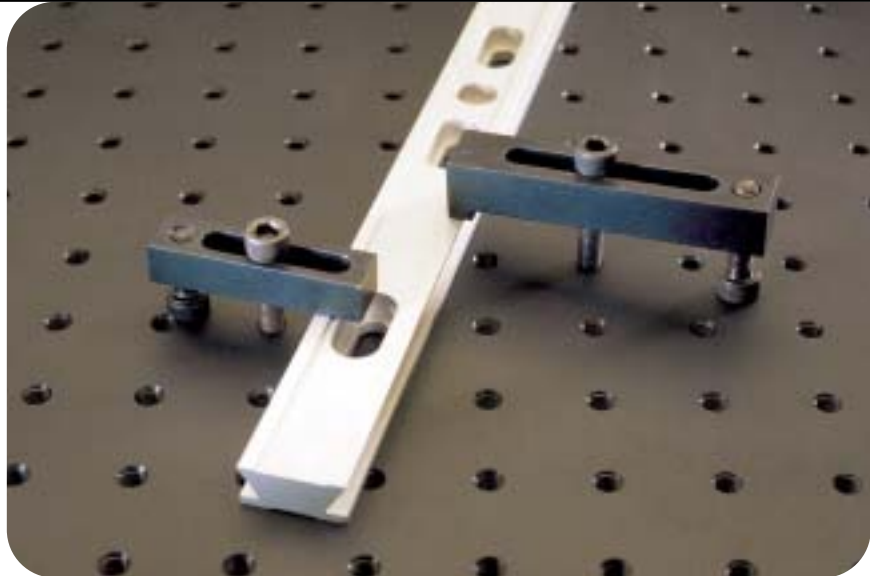
for 1/4-20 or M6 screws and allows for flexibility in positioning the clamp. The angled clamps are ideal for holding optical rails firmly onto a table top surface.

Table Clamps – Fixed

Catalog Number	Description	Price US
53-2135	Heavy Duty Table Clamp	\$6.05
53-2168	Compact Table Clamp	\$4.95
53-2176	Angled Table Clamp	\$3.85
24-1539	Subminiature Table Clamp, Set of 10 Metric with Thumbscrews	\$55.65
24-1513	Subminiature Table Clamp, Set of 10 Inch with Thumbscrews	\$55.65

Table Clamps – Adjustable

- Economically priced
- Adjustable clamp design
- Ideal for fixing items such as optical rails to a table
- Compatible with M6 and 1/4-20 mounting screws



Optics

Lenses & Microscope Components

Coatings

Mirrors, Beamsplitters & Windows

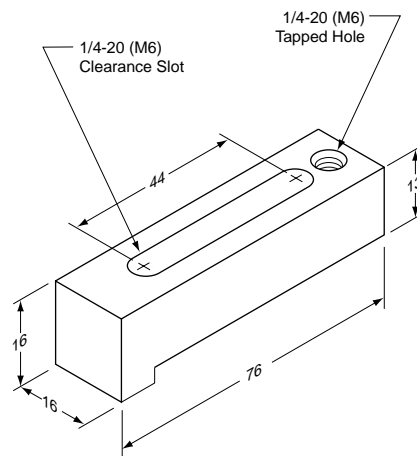
Prisms & Polarizers

Filters

Pinholes

53-2143/61-2143

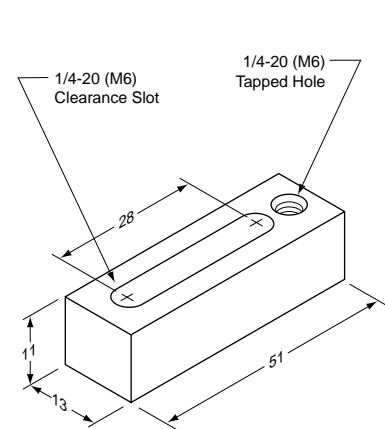
Adjustable Heavy Duty Table Clamp



Ealing's new range of Adjustable Table Clamps are ideal for clamping rails and other products to Optical Tables or Breadboards. The adjustable design

53-2150/61-2150

Medium Duty Adjustable Table Clamp



incorporates a threaded hole at one end for different height mounting using either 1/4-20 or M6 screws.

Opto-mechanics

Tables, Breadboards & Rails

Mounting Hardware

Mirror & Component Mounts

Manual Micro-positioners

Motorized Positioners

Specifications & Tolerances

Material: Black anodized aluminum
Dimensions: ±0.2 mm

Table Clamps – Adjustable

Catalog Number	Description	Price US
53-2150	Medium Duty Adjustable Table Clamp, Metric	\$4.95
61-2150	Medium Duty Adjustable Table Clamp, Inch	\$4.95
53-2143	Adjustable Heavy Duty Table Clamp, Metric	\$6.05
61-2143	Adjustable Heavy Duty Table Clamp, Inch	\$6.05

Lasers & Accessories

Beam Delivery

Laser Measurement

Diode Laser Modules

Half-Inch Post Clamps

Optics

Lenses & Microscope Components

Coatings

Mirrors, Beamsplitters & Windows

Prisms & Polarizers

Filters

Pinholes

- Rigid right angle or swivel clamp designs
- Low cost versions available
- Co-axial swivel clamp gives unmatched rigidity
- Swivel clamps allow 360 degree rotation of a mounting post



Opto-mechanics

Tables, Breadboards & Rails

Mounting Hardware

Mirror & Component Mounts

Manual Micro-positioners

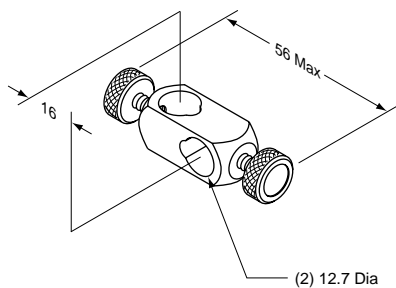
Motorized Positioners

Ealing offers three different types of half-inch post clamps.

The dual half-inch clamp allows two posts to be firmly mounted at right angles to each other, it has hole centers 16mm apart and is double bored to give a very positive hold on half inch posts.

The new co-axial half-inch swivel clamp is ideal for applications that require a

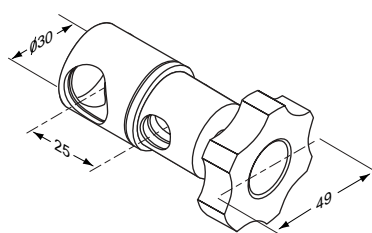
53-2101
Right Angle Clamp, Half-inch posts



heavy object to be clamped firmly and securely at a variety of angles with unmatched rigidity. It is constructed of aluminum and stainless steel with a single large delrin clamp knob. It's unique co-axial design enables extremely rigid clamping of two posts at any angle simply by tightening the knob.

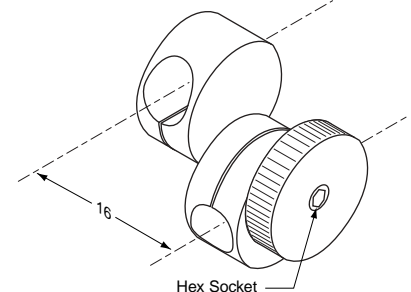
The low cost half-inch swivel clamp is based on a more common split body

53-3844
Co-Axial Swivel Clamp, Dual Half-inch posts



design. This design allows two half-inch posts to be clamped at any angle using the single tightening knob on the side. The posts can be more rigidly clamped by further tightening using the hex socket incorporated into the knurled knob. These clamps are suitable for light loads, for heavier loads use the more rigid co-axial clamp.

53-3869
Low Cost Swivel Clamp, Dual Half-inch posts



Lasers & Accessories

Beam Delivery

Laser Measurement

Diode Laser Modules

Half-Inch Post Clamps

Catalog Number	Description	Price US
53-2101	Right Angle Clamp, Half-inch posts	\$13.20
53-3844	Co-Axial Swivel Clamp, Dual Half-inch posts	\$126.00
53-3869	Low Cost Swivel Clamp, Dual Half-inch posts	\$38.50

StablePillar™ to Half-Inch Post Clamps

- Rigid swivel clamp designs
- Designed specifically for 25mm StablePillar™ and half inch posts
- Low cost version available
- Co-axial swivel clamp design for high rigidity.
- Swivel clamps allow 360 degree rotation of a mounting post



Ealing offers two different types of StablePillar to half-inch post clamps. Both of these clamps allow a half-inch post to be firmly mounted at any angle to a StablePillar or other 25.0mm post.

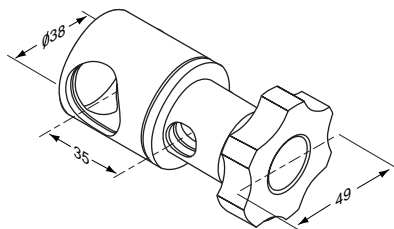
The new co-axial StablePillar swivel clamp is ideal for applications that require a heavy object to be clamped firmly and securely at a variety of angles

with unmatched rigidity. This clamp is constructed of aluminum and stainless steel with a single large delrin clamp knob. It's unique co-axial design enables extremely rigid clamping of two posts at any angle simply by tightening the knob.

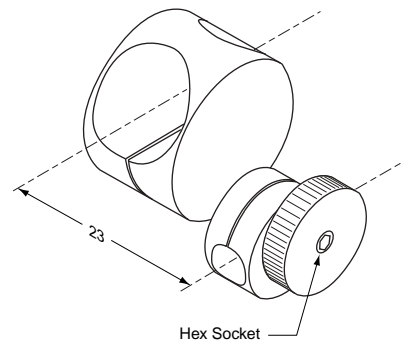
The low cost StablePillar swivel clamp is based on a split body design. This design allows a half-inch post to be clamped at

any angle to the StablePillar using the single tightening knob on the side. The post can be more rigidly clamped by further tightening using the hex socket incorporated into the knurled knob. These clamps are suitable for light loads, for heavier loads use the more rigid co-axial clamp.

53-3851
Co-Axial StablePillar Swivel Clamp



53-3877
Low Cost StablePillar Swivel Clamp



StablePillar™ to Half-Inch Post Clamps

Catalog Number	Description	Price US
53-3851	Co-Axial StablePillar Swivel Clamp, 25mm to 12.7mm posts	\$131.25
53-3877	Low Cost StablePillar Swivel Clamp, 25mm to 12.7mm posts	\$57.75

Optics

Lenses & Microscope Components

Coatings

Mirrors, Beamsplitters & Windows

Prisms & Polarizers

Filters

Pinholes

Opto-mechanics

Tables, Breadboards & Rails

Mounting Hardware

Mirror & Component Mounts

Manual Micro-positioners

Motorized Positioners

Lasers & Accessories

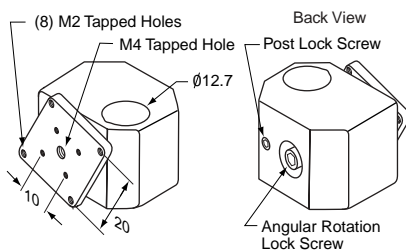
Beam Delivery

Laser Measurement

Diode Laser Modules

Multi-Purpose Swivel Clamp for Half-inch Posts

- Swivel Clamps for half-inch posts
- Mounts MicroMech positioners at any angle on a post
- Ideal for low cost beam steering units



Micropositioners or component mounts such as mirror mounts can be mounted onto these swivel clamps and locked at any angle.

Multi-Purpose Swivel Clamp

Catalog Number	Description	Price US
53-3778	MicroMech Multi-purpose Swivel Clamp, 12.7mm posts	\$65.00

Adjustable Pinhole Mount

- Compatible with 16 mm or 25 mm pinholes

Adjustable Pinhole Mount

This Adjustable Mount is particularly useful for spatial filter applications as it enables pinholes to be removed or replaced without having to disturb other components in the assembly. The mount accepts any 16 mm diameter pinholes, retaining them in the cell with a bayonet-fitting retaining ring. Vertical and horizontal alignment of the cell is

achieved using the two cap-headed adjustment screws which each have a travel of ± 1 mm. The Adjustable Pinhole Mount is available in metric and inch versions.

Threaded Precision Pinhole Holder

This holder accepts the Ealing mounted 25 mm diameter precision pinholes. The

mounted pinholes fit directly into the holder and are held against a flange by means of a retaining ring.

The holder is threaded with an RMS (0.8 inch x 36TPI) thread which will fit directly into any standard microscope objective fitting.

Pinhole Mounts

Catalog Number	Description	A	B	C	Price US
53-1129	Adjustable Pinhole Mount	M3	25 mm	30 mm	\$72.00
61-1129	Adjustable Pinhole Mount	8-32	1 inch	1.25 inch	\$72.00
22-6019	Threaded Precision Pinhole Holder				\$89.00