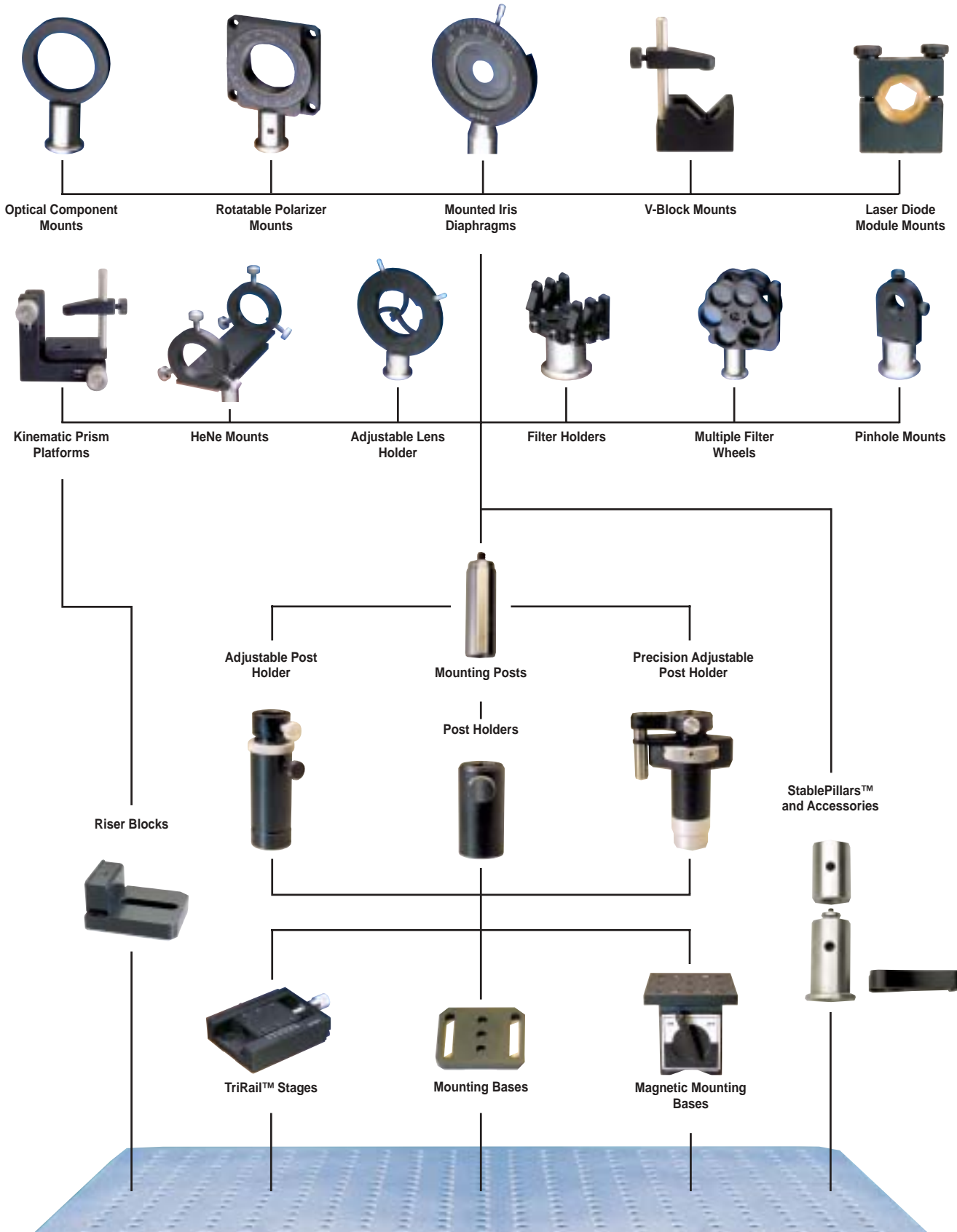


Component Mounts

How They Go Together...



- Optics
- Lenses & Microscope Components
- Coatings
- Mirrors, Beamsplitters & Windows
- Prisms & Polarizers
- Filters
- Pinholes
- Opto-mechanics
- Tables, Breadboards & Rails
- Mounting Hardware
- Mirror & Component Mounts
- Manual Micro-positioners
- Motorized Positioners
- Lasers & Accessories
- Beam Delivery
- Laser Measurement
- Diode Laser Modules

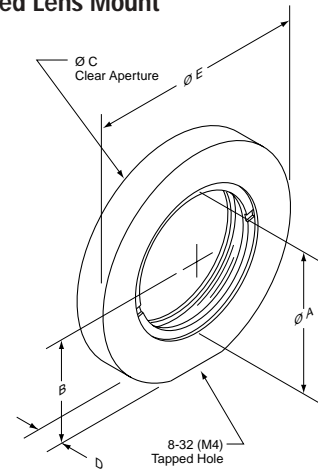
Fixed Lens Mounts – Threaded



- Fixed position threaded optic holders
- Compact design ideal for mounting thin lenses, windows, or beamsplitters
- Ideal for small lenses of 12.5 mm, 25 mm, and 50 mm diameter
- 8-32 and M4 threaded versions
- Economically priced

Thin lenses or beamsplitters of half-inch, one inch, and two inch diameter can be held in these versatile Component Mounts. The optical component is secured in place by a soft-faced threaded ring. This ring can be tightened using a spanner wrench tool. (Spanner Wrench Sets are described in the Accessories Section.) Thin Lens Mounts can be supported by a standard Half-inch Mounting Post (not supplied).

Fixed Lens Mount



Fixed Lens Mounts – Threaded

Catalog Number	Description	A (mm)	B (mm)	C (mm)	D (mm)	E (mm)	Max Component Thickness (mm)	Mounting Thread	Price US
53-2804	Fixed Threaded Optic Holder 12.5 mm/0.5 inch Dia., Metric	12.8	15.0	11.20	8.0	31.8	5.0	M4	\$24.00
61-2804	Fixed Threaded Optic Holder 12.5 mm/0.5 inch Dia., Inch	12.8	15.0	11.20	8.0	31.8	5.0	8-32	\$24.00
53-2812	Fixed Threaded Optic Holder 25 mm/1 inch Dia., Metric	25.5	21.8	23.70	9.5	44.5	6.5	M4	\$24.00
61-2812	Fixed Threaded Optic Holder 25 mm/1 inch Dia., Inch	25.5	21.8	23.70	9.5	44.5	6.5	8-32	\$24.00
53-2820	Fixed Threaded Optic Holder 50 mm/2 inch Dia., Metric	50.8	34.5	49.80	9.5	69.8	6.5	M4	\$24.00
61-2820	Fixed Threaded Optic Holder 50 mm/2 inch Dia., Inch	50.8	34.5	49.80	9.5	69.8	6.5	8-32	\$24.00

Optics

Lenses & Microscope Components

Coatings

Mirrors, Beamsplitters & Windows

Prisms & Polarizers

Filters

Pinholes

Opto-mechanics

Tables, Breadboards & Rails

Mounting Hardware

Mirror & Component Mounts

Manual Micro-positioners

Motorized Positioners

Lasers & Accessories

Beam Delivery

Laser Measurement

Diode Laser Modules

Fixed Lens Holders

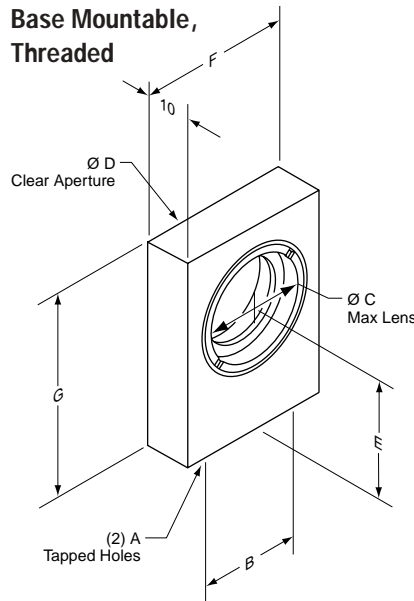
- Fixed position optic holders
- Compact design ideal for mounting lenses or filters
- Ideal for small lenses of 12.5 mm, 25 mm, 38 mm, and 50 mm diameter
- Rail, base, or post mountable
- Two versions available
- Low cost



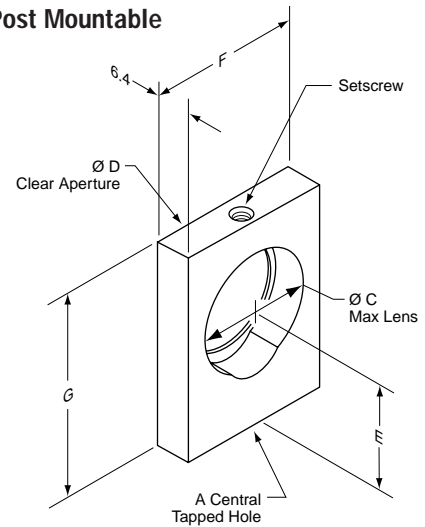
- Optics
 - Lenses & Microscope Components
 - Coatings
 - Mirrors, Beamsplitters & Windows
 - Prisms & Polarizers
 - Filters
 - Pinholes

Small lenses, mirrors, filters and windows can be held in these versatile Fixed Lens Mounts. Two versions of the Fixed Lens Holder are available, a threaded ring version which is base or rail mountable and a set screw design that is post mountable. In the threaded version optics are secured by a soft-faced threaded ring (ideal for thin optics). In the set screw version a small nylon faced allen screw holds the optic in place. The mounts are available in a range of standard sizes and can be mounted on either a base (threaded version) or on a Half-inch Mounting Post (set screw version).

Lens Holder, Base Mountable, Threaded



Lens Holder, Post Mountable



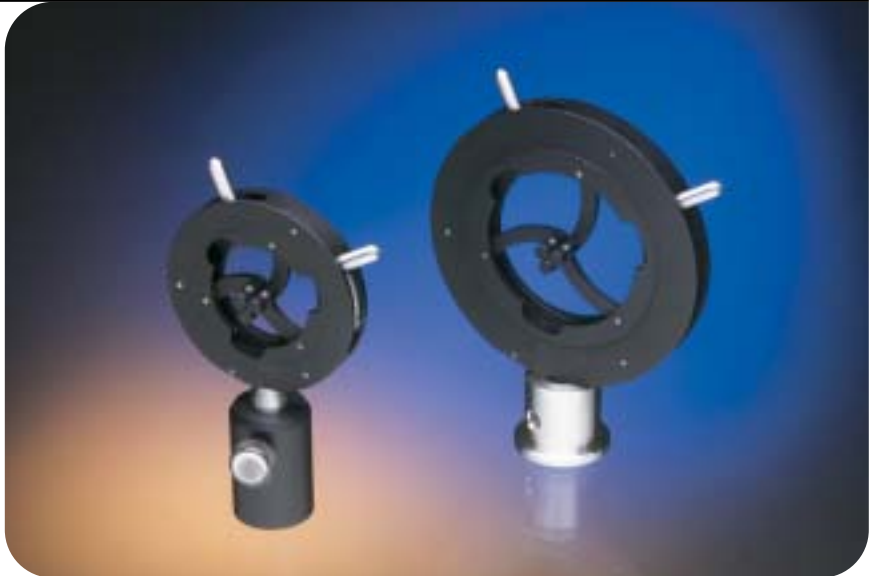
- Opto-mechanics
 - Tables, Breadboards & Rails
 - Mounting Hardware
 - Mirror & Component Mounts
 - Manual Micro-positioners
 - Motorized Positioners

Fixed Lens Holders

Catalog Number	Description	Threaded Holes A	B (mm)	Lens Dia C (mm)	D (mm)	E (mm)	F (mm)	G (mm)	Price US
53-0170	Lens Holder, Base Mnt. Threaded 1 inch Dia., Metric	M3	25.0	25.0 - 25.4	23.0	30.0	38.1	50.8	\$24.00
61-0170	Lens Holder, Base Mnt. Threaded 1 inch Dia., Inch	8-32	25.4	25.0 - 25.4	23.0	31.8	38.1	50.8	\$24.00
53-2754	Lens Holder, Post Mnt., 1 inch Dia. Optics, Metric	M4		25.0 - 25.4	24.0	23.0	32.0	42.0	\$19.00
61-2754	Lens Holder, Post Mnt., 1 inch Dia. Optics, Inch	8-32		25.0 - 25.4	24.0	23.0	32.0	42.0	\$19.00
53-2762	Lens Holder, Post Mnt., 0.5 inch Dia. Optics, Metric	M4		12.5 - 12.7	11.5	17.5	20.0	30.0	\$14.30
61-2762	Lens Holder, Post Mnt., 0.5 inch Dia. Optics, Inch	8-32		12.5 - 12.7	11.5	17.5	20.0	30.0	\$14.30

- Lasers & Accessories
 - Beam Delivery
 - Laser Measurement
 - Diode Laser Modules

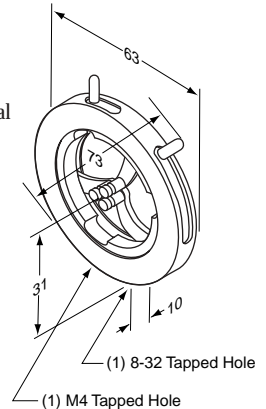
Adjustable Lens Holders Self Centering



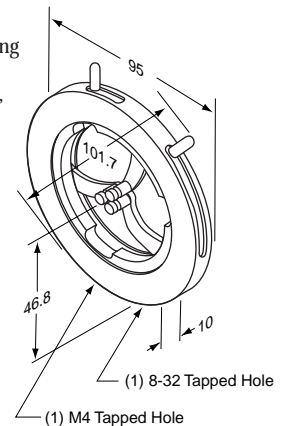
- High quality self centering design
- Accurate repeatable re-location of optics
- Two sizes available
- Enclosed mechanism
- Universal Mounting on either inch or metric hardware
- Soft delrin v-grooved optic support jaws

Ealing's new Self-Centering Adjustable Lens Holders are available in two sizes. The smaller size mount will hold lenses from 2.5 mm diameter to 30 mm diameter, while the larger size will hold lenses up to 51 mm in diameter. The three arms of the lens holder are retracted by pinching together the two external levers on the top of the mount against spring pressure. When released, the three arms grip the lens in soft v-grooved jaws, automatically centering the lens within the holder. This device is particularly valuable when lenses of different diameters are being used interchangeably, as repeated centering is unnecessary.

53-3786
Self-centering adjustable lens mount, small, Universal



53-3794
Self-centering adjustable lens mount, large, Universal



Specifications:

Optical Center line

Small: 31.0 mm
Large: 46.8 mm

Minimum size component

Small: 2.5 mm
Large: 3.5 mm

Maximum size component

Small: 30 mm
Large: 51 mm

Adjustable Lens Holders Self Centering

Catalog Number	Description	Price US
53-3786	Self-centering adjustable lens mount, small, Universal	\$229.00
53-3794	Self-centering adjustable lens mount, large, Universal	\$249.00

Optics

Lenses & Microscope Components

Coatings

Mirrors, Beamsplitters & Windows

Prisms & Polarizers

Filters

Pinholes

Opto-mechanics

Tables, Breadboards & Rails

Mounting Hardware

Mirror & Component Mounts

Manual Micro-positioners

Motorized Positioners

Lasers & Accessories

Beam Delivery

Laser Measurement

Diode Laser Modules

Sliding Grip Lens Holders

- Available in three sizes
- Simple rugged design
- Positive lens location
- Rotating v-tip grip
- Sprung upper grip enables easy insertion and removal without undoing clamp screw

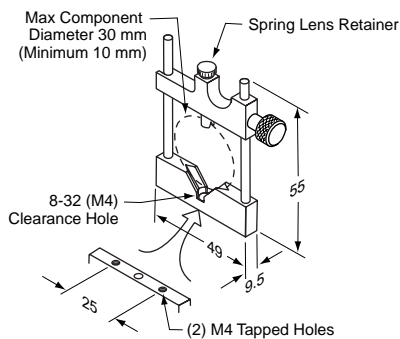


These simple, rugged lens holders are available in three sizes, to accept lenses from 10 mm diameter to 105 mm diameter. The lower part of the mount is precisely machined to provide positive and repeatable location for the lens. The top support arm holds the optic in place using a v-tipped delrin lens grip. This

spring-loaded grip allows lenses to be easily inserted and removed by simply pulling up to release the lens while the upper support arm is clamped in place. Clearance holes through the base are provided for mounting on either metric or inch hardware.

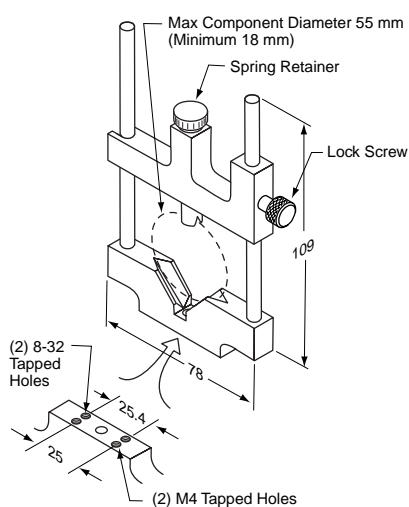
53-3539

Sliding grip lens holder for 10-30 mm diameter lenses



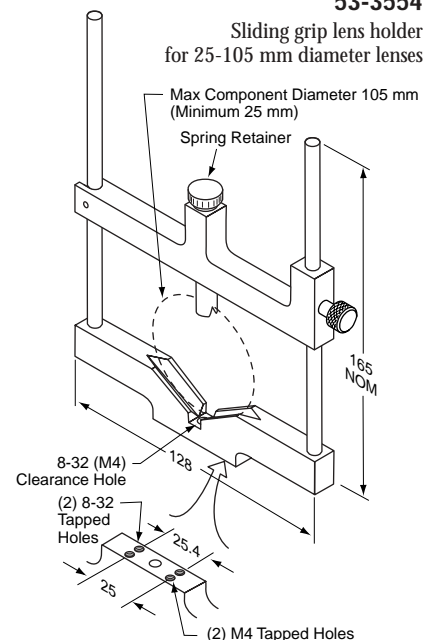
53-3547

Sliding grip lens holder for 18-55 mm diameter lenses



53-3554

Sliding grip lens holder for 25-105 mm diameter lenses



Sliding Grip Lens Holders

Catalog Number	Description	Price US
53-3539	Sliding grip lens holder, for 10-30 mm diameter lenses, Universal	\$65.00
53-3547	Sliding grip lens holder, for 18-55 mm diameter lenses, Universal	\$74.00

Optics

Lenses & Microscope Components

Coatings

Mirrors, Beamsplitters & Windows

Prisms & Polarizers

Filters

Pinholes

Opto-mechanics

Tables, Breadboards & Rails

Mounting Hardware

Mirror & Component Mounts

Manual Micro-positioners

Motorized Positioners

Lasers & Accessories

Beam Delivery

Laser Measurement

Diode Laser Modules

Sliding Grip Lens Holders For Cylindrical Lenses



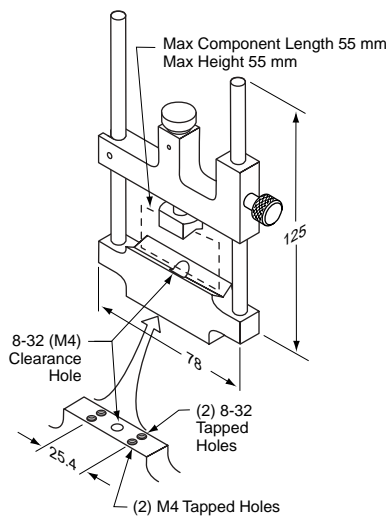
- Available in two sizes
- Simple rugged design
- Positive lens location
- Sprung upper grip enables easy insertion and removal without undoing clamp screw

These sliding grip holders are designed specifically for holding rectangular shaped plano-convex cylindrical lenses. They are available in two sizes, to accept lenses up to 105 mm x 50 mm. The lower part of the mount is precisely machined with a horizontal v-groove which provides positive and repeatable location for the lens. The top support arm holds the optic in place using a wide v-tipped delrin lens grip. This spring-loaded grip allows lenses to be easily inserted and removed by simply pulling up to release the lens while the upper support arm is clamped in place. Clearance holes through the base are provided for mounting on either metric or inch hardware.

Note: These mounts are not designed to hold a lens with edge thickness greater than approximately 5 mm, plano-concave cylindrical lenses with edge thicknesses >5 mm will not mount correctly in these holders.

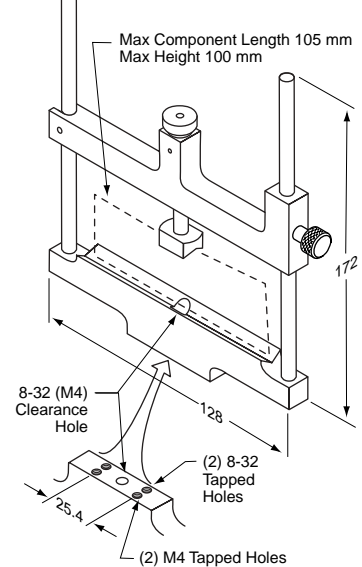
53-3562

Sliding Grip Lens Holder for 10-55 mm length plano-convex cylindrical lenses



53-3570

Sliding Grip Lens Holder for 10-105 mm length plano-convex cylindrical lenses



Sliding Grip Lens Holders For Cylindrical Lenses

Catalog Number	Description	Price US
53-3562	Sliding grip lens holder, for 10-55 mm Length, plano-convex cylindrical lenses, Universal	\$69.00
53-3570	Sliding grip lens holder, for 10-105 mm Length, plano-convex cylindrical lenses, Universal	\$95.00

Optics

Lenses & Microscope Components

Coatings

Mirrors, Beamsplitters & Windows

Prisms & Polarizers

Filters

Pinholes

Opto-mechanics

Tables, Breadboards & Rails

Mounting Hardware

Mirror & Component Mounts

Manual Micro-positioners

Motorized Positioners

Lasers & Accessories

Beam Delivery

Laser Measurement

Diode Laser Modules